

**M2300  
Electric Burnisher  
w/Dust Control  
Option**

**Model: M23000-00, 02, 04, 06  
M23000-01, 03, 05, 07**

**OPERATION**

**SERVICE**

**PARTS**

**CARE**



Revised 6/94

***Minuteman***<sup>®</sup>

# FOR COMMERCIAL USE ONLY

## IMPORTANT SAFETY INSTRUCTIONS

When using an electrical appliance, basic precautions should always be followed, including the following:

### READ ALL INSTRUCTIONS BEFORE USING

#### **WARNING** - To reduce the risk of fire, electric shock, or injury:

- Do not leave appliance when plugged in. Unplug from outlet when not in use and before servicing.

#### **WARNING**

To reduce the risk of electric shock - Do not expose to rain. Store indoors.

- Do not allow to be used as a toy. Close attention is necessary when used by or near children.
- Use only as described in this manual. Use only manufacturer's recommended attachments.
- Do not use with damaged cord or plug. If appliance is not working as it should, has been dropped, damaged, left outdoors, or dropped into water, return it to a service center.
- Do not pull or carry by cord, use cord as a handle, close a door on cord, or pull cord around sharp edges or corners. *Do not run appliance over cord. Keep cord away from heated surfaces.*
- Do not unplug by pulling on cord. To unplug, grasp the plug, not the cord.
- Do not handle plug or appliance with wet hands.
- Do not put any object into openings. Do not use with any opening blocked; keep free of dust, lint, hair, and anything that may reduce air flow.
- Keep hair, loose clothing, fingers, and all parts of body away from openings and moving parts.
- Do not pick up anything that is burning or smoking, such as cigarettes, matches, or hot ashes.
- Do not use without dustbag and/or filters in place.
- Turn off all controls before unplugging.
- Use extra care when cleaning on stairs.
- Do not use to pick up flammable or combustible liquids such as gasoline or use in areas they may be present.
- Connect to a properly grounded outlet only. See grounding instructions.

### SAVE THESE INSTRUCTIONS

# INSPECTION

Carefully unpack and inspect your machine for shipping damage. Each unit is tested and thoroughly inspected before shipment, and any damage is the responsibility of the delivery carrier who should be notified immediately.

# WARNING

- Read Instruction Manual before operating this piece of equipment.
- To reduce the risk of fire use only commercially available floor cleaners and waxes intended for machine application.
- To reduce the risk of electrical shock, do not expose to rain. Store indoors.
- Electrical motors and components can cause an explosion when operated near volatile materials and vapors. Do not use this machine near flammable materials such as solvents, thinners, fuels, grain dust, etc.
- Risk of explosion. Floor sanding can result in an explosive mixture of fine dust and air. Use floor-sanding machine only in a well-ventilated area free from flame or match.

## ELECTRICAL - 115 Volt - M23000-00, 02, 04, 06

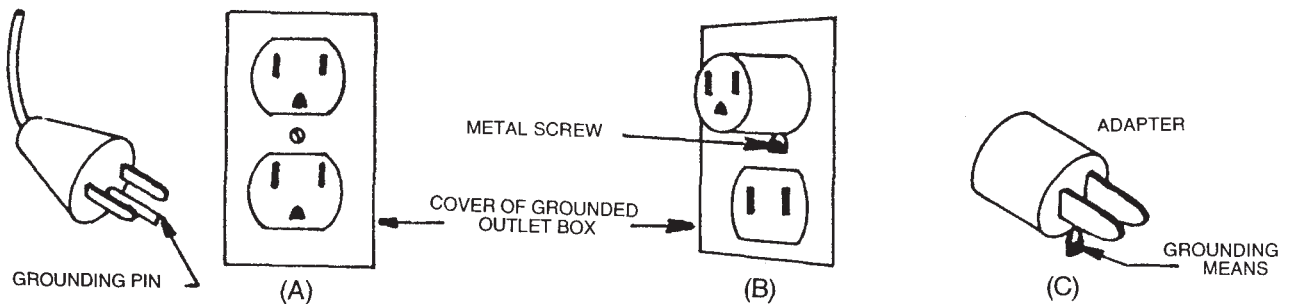
This floor machine is designed to operate on a standard 15 amp, 120 volt, 60 hz, AC circuit. Voltages below 105 volt AC or above 125 volts AC could cause serious damage to the motor.

## ELECTRICAL - 240 Volt - M23000-01, 03, 05, 07

This machine is designed to operate on a standard 10 amp, 230 volt, 50 hz, AC circuit.

# GROUNDING INSTRUCTIONS

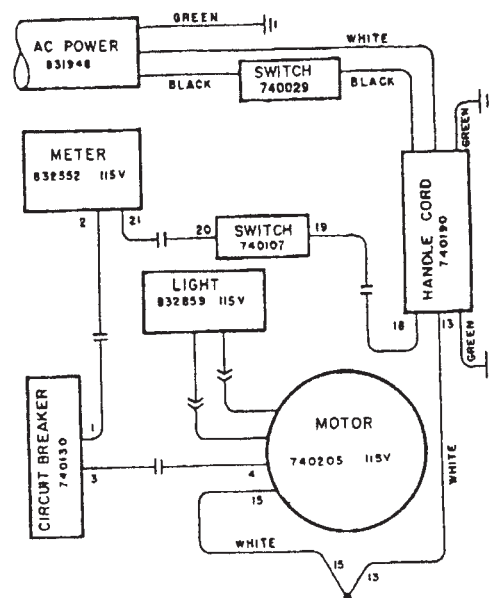
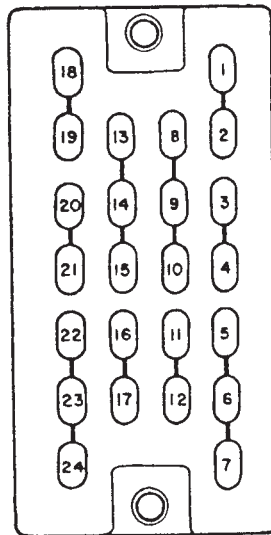
- This floor finishing machine should be grounded while in use to protect the operator from electric shock. The machine is equipped with a three-conductor cord and a three-prong grounding type attachment plug to fit the proper grounding type receptacle. The green (or green and yellow) conductor in the cord is the grounding wire. Never connect this wire to other than the grounding blade.
- Floor Finishing Machines Rated Less Than 150 Volts - If the machine is provided with an attachment plug as shown in Sketch A it is intended for use on a 120-volt (nominal) circuit. If a properly grounded receptacle as shown in Sketch A is not available, an adapter as shown in Sketch C is available and should be installed as shown in Sketch B if the outlet box that houses the receptacle is grounded. Be sure to fasten the grounding tab with the faceplate screw.



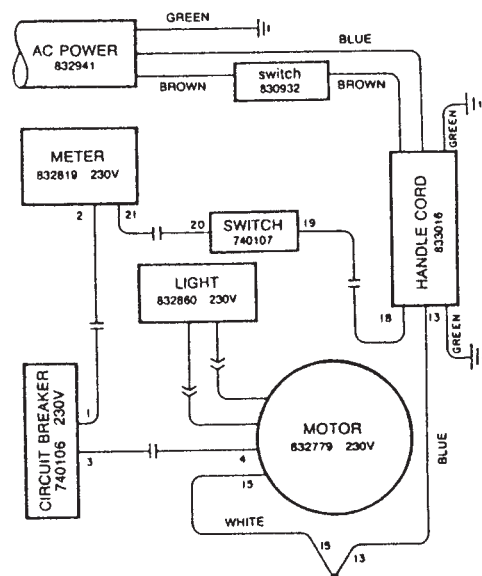
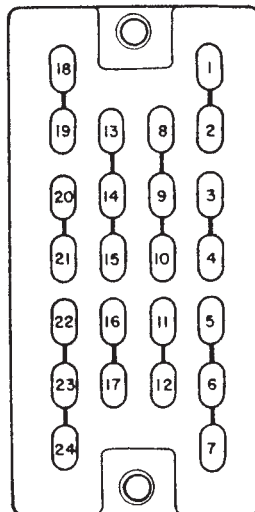
## Trouble Shooting

1. Machine will not start -
  - A. Check to see if machine circuit breaker is reset.
  - B. Check to see if there are any disconnected wires at the motor or switches.
  - C. Check to see if "on/off" switch and safety switch are activating.
2. Motor will not start, circuit breaker trips -
  - A. Check rectifiers in motor for damage.
  - B. Inspect internal wiring for loose connections or direct shorts.
  - C. Inspect carbon brushes for excessive wear.
3. Machine runs short period of time, then circuit breaker trips -
  - A. Check motor carbon brushes for wear.
  - B. Adjust pad pressure to floor to relieve pad pressure.

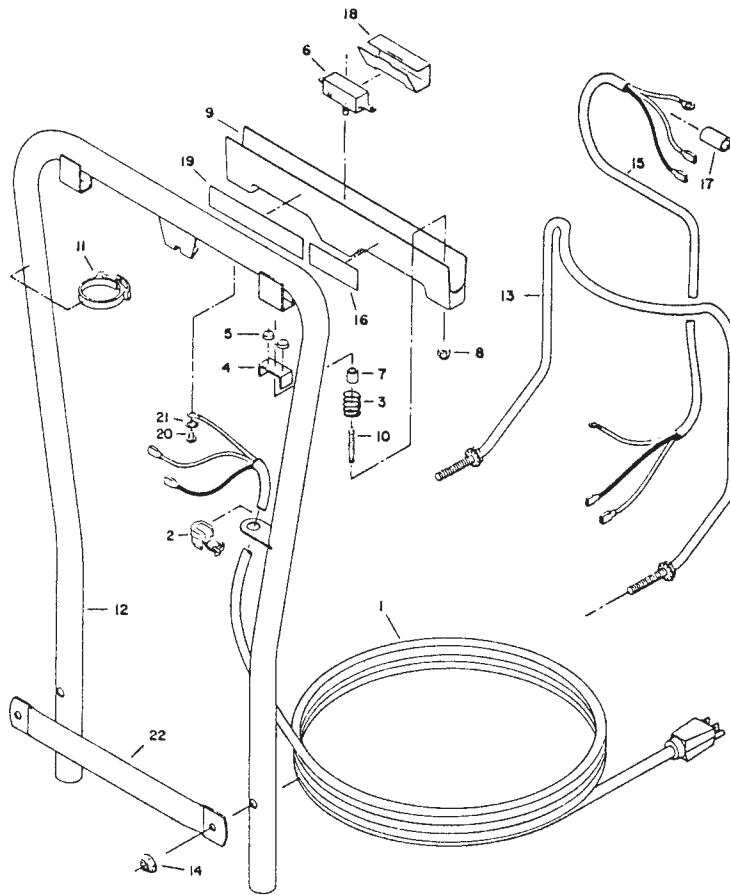
**WIRING  
DIAGRAM  
115 Volt**



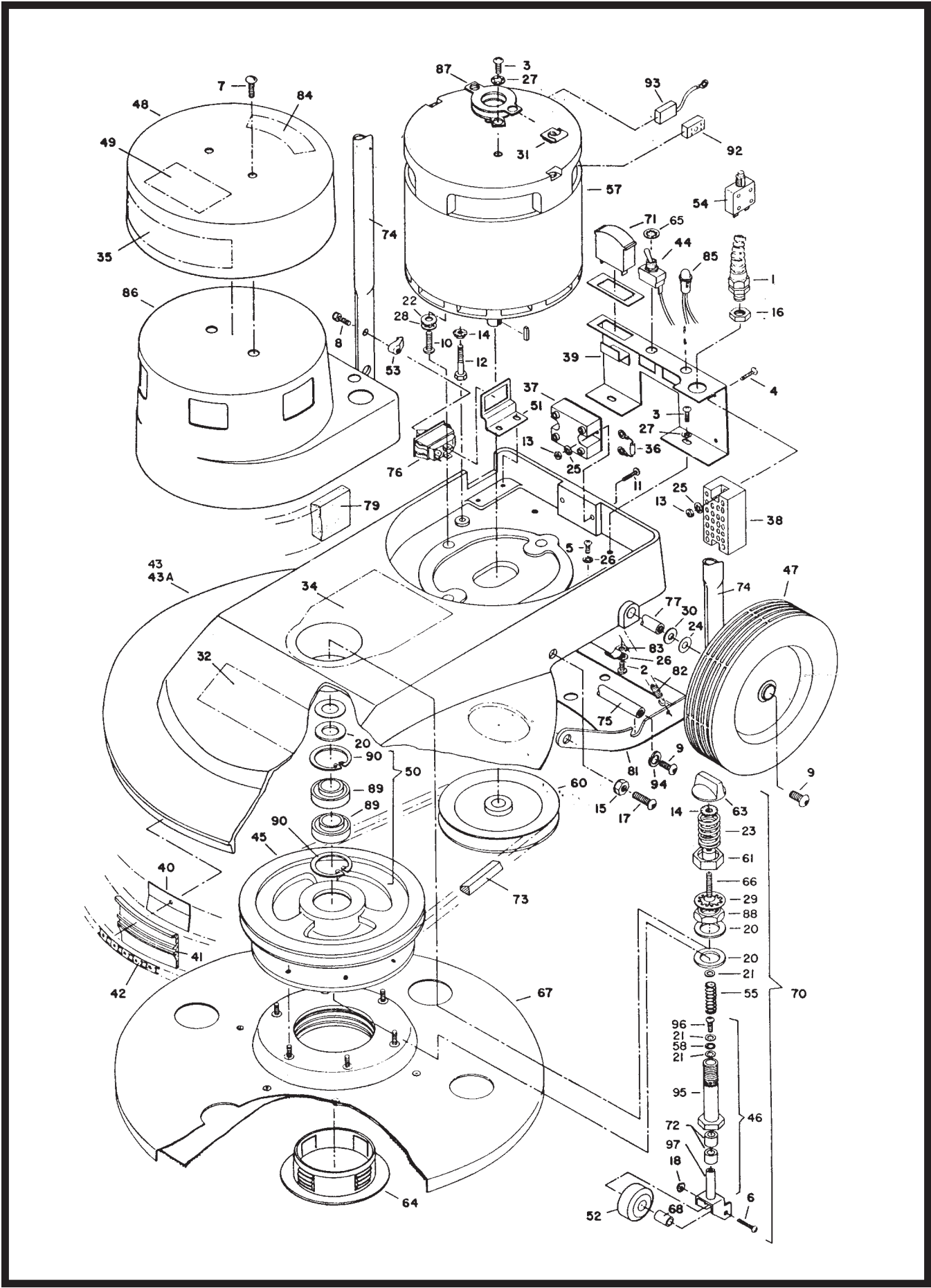
**WIRING  
DIAGRAM  
240 Volt**



# HANDLE ASSEMBLY



Item	Part No.	Qty.	Description
1	831948	1	Cord assembly
1A	832941	1	Power cord, International
2	760145	1	Strain relief
3	832598	2	Compression spring
4	832675	2	Clip SS
5	830453	2	Bumper pad
6	740029	1	Switch
7	832576	2	Spacer
8	711352	2	Nut-acorn 1/4-20 ST N1
9	832965	1	Switch box cover
10	711045	2	SCR, set 1/4 x 20 x 1.5
11	832617	2	Spring clip, nylon
12	833347	1	Handle tube
13	832551	1	Cord hook
14	711379	4	Flanged wizz nut 5/16-18
15	740190	1	Cable assembly
15A	833016	1	Handle cord
16		1	Decal
17	832993	1	Tubing spacer
18	833505	1	Insulator, handle switch
19	715073	1	Decal, caution CB reset
20	711553	2	WSR #10 loc
21	710153	2	SCR-MC 10/32 x .375
22	833518	1	Lift bar



# BASE ASSEMBLY

Item	Part No.	Qty.	Description	Item	Part No.	Qty.	Description
1	150004	1	Relief strain Heyco 3251	47	804452	2	Wheel 8"
2	710153	1	SCR-MC 10/32 x .37 NI PLT	48	829194	1	Motor top cover
3	710177	2	SCR-MC 1/4-20 x .37 ST PL	49	830522	1	Decal, warning
4	710207	2	SCR-MC 6-32 x .87 ST PL	50	833212	1	Pulley shaft assembly, includes items 45, 89, 90
5	710353	1	SCR-MC 10-32 x .37 ST PL	51	760077	1	Bracket, switch mount
6	712533	1	SCR-MC 10-24 x 1.50 ST PL	52	762018	1	Wheel, wide series
7	710196	1	Non-dust control machines	53	760102	1	Nylon pin
7A	710197	1	Dust control machines	54	740220	1	Circuit breaker
8	710823	1	SCR-SC 1/4-20 x .50 nylon	54A	740106	1	Circuit breaker 9 amp
9	710985	4	SCR-SC 3/8 x 16 x 5/8	55	831542	1	Compression spring
10	710986	6	SCR-SC 3/8-16 x 1.00 ST PL	57	740205	1	Motor 1 1/2 HP, 115V imperial
11	710008	2	SCR-SC 6-32 x 1.25	57A	832779	1	Motor 1.5 HP, 240V, 50/60 hz
12	711234	2	BLT-HH 5/16-18 x 2.00 ST PL	58	832186	1	Bearing thrust
13	711301	4	Nut-hex 6-32 ST PL	60	832409	1	Pulley 5 x .625
14	711379	3	Flanged wizz nut 5/16-18	61	833507PLT	1	Cap nut
15	711380	2	Nut, nyloc 3/8-16	63	832418	1	Knob
16	711400	1	Nut-pipe lock 1/2	64	760401	1	Center cup, new style
17	710987	1	SCR-SC 3/8-16 x 1 1/2	65	711556	1	WSR, loc int.
18	712637	1	Nut, nyloc 10/24	66	832453	1	Adj screw
19	711505	1	WSR, flat 1/4	67	833900	1	Multi-flex pad driver assy.
20	711512	As req'd	WSR, flat 75 x 1.37 x .08	68	833368	1	Caster pin SS
21	712764	3	WSR, flat #10 SS	70	832477	1	Replacement pulley shaft assembly complete
22	711515	4	WSR, flat .44 x .87 x .07	71	832552	1	Meter 115V 0-25A
23	833102	1	Spring	71A	832819	1	Amp meter 0-15 amp
24	711524	4	WSR, wave 1/2-.52 x .87 x .01	72	831089	2	Shaft bushing
25	711551	4	WSR, internal tooth lock #6	73	832574	1	Belt A40
26	711553	2	WSR, internal lock #10	74	832579	2	Handle strut, lower
27	711554	2	WSR, lock 1/4 ID ST PI	75	832581	1	Lock brace
28	711555	4	WSR, lock 3/8 internal	76	740107	1	Switch, 20 amp
29	711559	1	WSR, lock internal 3/4	77	832599	1	Axle plated
30	711594	4	WSR, flat .56 x .88 x .03 NKL	79	833011	1	Foam insulator imperial
31	832829	2	Nut, Tinnerman 5/16 x 18	80	832603	1	Decal, CB reset
32		1	Decal logo	81	832609	1	Pivot lock guard weld
33		1	Decal, serial nameplate	82	832619	1	Spring
34	715071	1	Decal ins pads press	83	832623	1	Clamp, spring
34A	715082	1	Decal	84	832627	1	Decal, caution
35		1	Decal	85	832859	1	Indicator light 115V
36	750254	1	Resistor assembly	85A	832860	1	Indicator light 240V
37	740187	1	Controller SCR	86A	833502	1	Cover, motor lower
38	740189	1	Terminal block 10471	87	832917	1	Coupling
39	760103	1	Bracket mounting, long	88	880023	1	Nut, lock 3/4
40	760092	1	Skirt rim M2300	89	881060	2	Bearing w/col
41	760094	1	Skirt air guard	90	881317	2	Ring retaining
42	760095	1	Skirt retainer complete	91	712763	2	Bearing race WSR SS
	832601	1	Clamp band	92	740202	1	Rectifier bridge
	832602	1	Clamp connector	93	762160	4	Brush, carbon imperial
43	762130PTD	1	Housing high speed 20"	94	711546	2	Washer, LOC 3/8
43A	762401	1	Casting high speed w/ dust control machine	95	787791	1	Shaft, brush
44	740188	1	Switch 20 amp 1.5 hp	96	832448	6	Blt. shoulder SS
45	833122BAL	1	Pulley brush	97	833224	1	Yoke
46	750161		Caster pin assy. w/bearings				

## DUST CONTROL OPTION

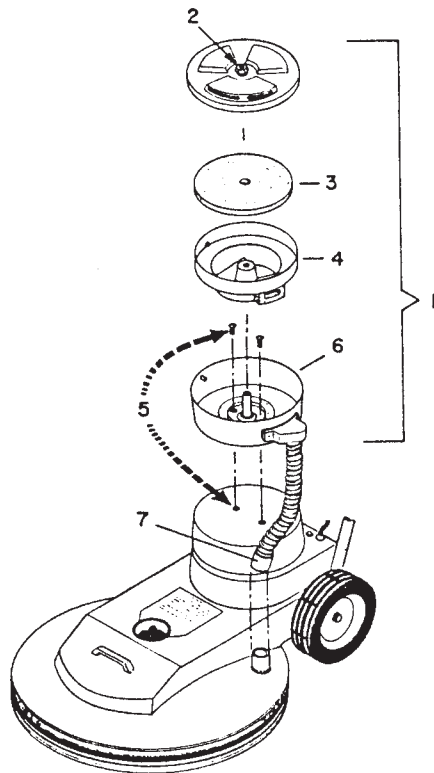


Fig. 1

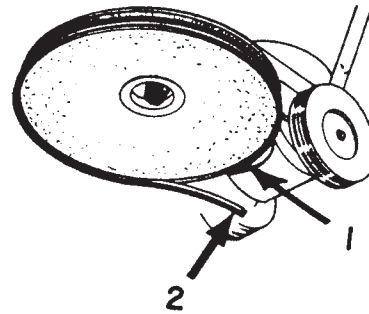


Fig. 2

## DUST CONTROL OPTION FIGURE #1

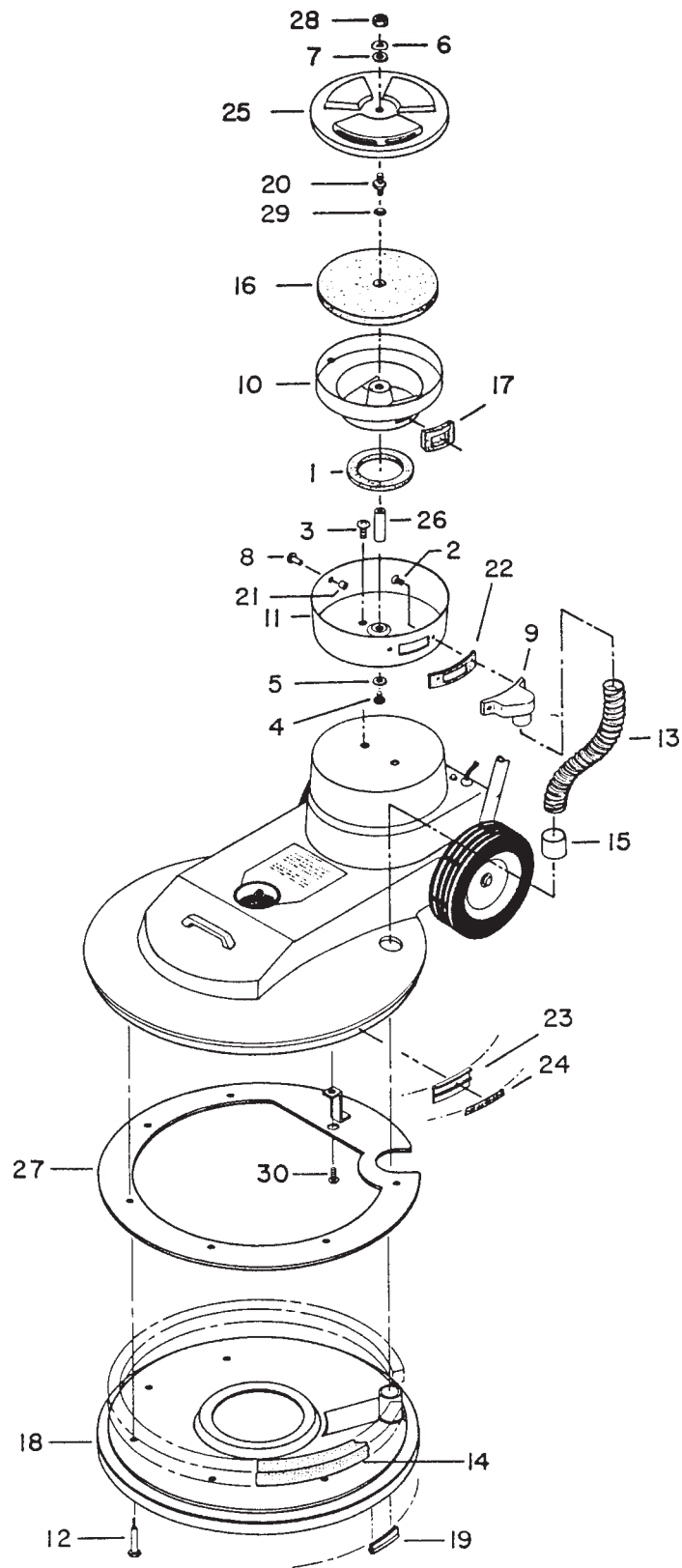
Filter housing assembly (1) is shipped unattached to machine top cover.

1. Remove top cover (2), filter (3), and dust collection tray (4).
2. Remove screws (5) from top of motor cover. Place filter housing assembly (6) on top of motor cover and reinstall screws (5).
3. Insert hose (7) over exit tube as shown. Reinstall item 4, 3 and 2.

## REPLACING FLOOR SEAL STRIP FIGURE 2

When floor seal shows signs of excessive wear, seal should be replaced. Edging can be removed by grasping seal at rear leading edge and pulling off. To install new seal, begin at (1) and push edging on until ends meet. Floor seal edging should be pushed on and seated equally around perimeter of air shroud.





# OPTIONAL DUST CONTROL ASSEMBLY

Item	Part No.	Qty.	Description
1	380035	1	Gasket , 4.31 x 5.81 x .19
2	710553	2	SCR-MC 10-32 x .37 ST PL
3	710197	2	SCR-SC 5/16-18 x .75 ST PL
4	711202	1	BLT-HH 1/4-20 x .50 ST PL
5	711505	1	WSR-flat 1/4
6	711524	1	WSR-wave .52 x .87 x .01
7	711594	1	WSR-flat .56 x .88 x .03 NI
8	711903	1	Rivet-pop .19 x .25 AL
9	762131PTD	1	Hose fitting D/C 2300
10	762132	1	Dust collection tray
11	762396	1	Filter housing
12	712082	6	Leveler bolt
13	762398	1	Hose rubber flex 2 x 13
14	760235	1	Foam 1 x 60" PS Back
15	762402	1	Hose cuff
16	762403	1	Filter pad 9", case of 5
17	762404	1	Filter gasket
18	762407	1	Vac shroud
19	762408PKG	1	Floor seal pkg. of 6
20	762409PLT	1	Thread pin retainer zinc PL
21	762410	1	Bushing .196 x .312 x .265
22	762411	1	Gasket, dust collection tray
23	762412	1	Perimeter trim skirt
24	762413	1	Retainer
25	762415	1	Filter housing cover
26	762416PLT	1	Spacer threaded plated
27	760412	1	DC platform
28	833214	1	Knob 3-sided 1/4 20 ins.
29	800181	1	O-Ring
30	711124	1	Screw-MC #10

# LIMITED WARRANTY

Minuteman International, Inc. warrants to the original purchaser/user that this product is free from defects in workmanship and materials under normal use and service for a period of three years from date of purchase. In addition, Minuteman International, Inc. will, at its option, honor labor warranty claims for the first 12 months from date of sale, provided such claims are submitted through and approved by factory authorized repair stations. Minuteman International, Inc. will, at its option, repair or replace without charge, except for transportation costs, parts that fail under normal use and service when operated and maintained in accordance with the applicable operation and instruction manuals.

This warranty does not apply to normal wear, or to items whose life is dependent on their use and care, such as belts, cords, switches, hoses, rubber parts, electrical motor components or adjustments. Parts not manufactured by Minuteman International, Inc. such as engines, batteries, battery chargers, hydraulic pumps, and tires are covered by and subject to the warranties and/or guarantees of their manufacturers. Please contact Minuteman International, Inc. for procedures in warranty claims against these manufacturers.

**Special warning to purchaser** — Use of replacement filters and/or prefilters not manufactured by Minuteman International, Inc. or its designated licensees, will void all warranties expressed or implied.

A potential health hazard exists without exact original equipment replacement.

All warranted items become the sole property of Minuteman International, Inc. or its original manufacturer, whichever the case may be.

Minuteman International, Inc. disclaims any implied warranty, including the warranty of merchantability and the warranty of fitness for a particular purpose. Minuteman International, Inc. assumes no responsibility for any special, incidental or consequential damages.

This limited warranty is applicable only in the U.S.A. and Canada, and is extended only to the original user/purchaser of this product. Customers outside the U.S.A. and Canada should contact their local distributor for export warranty policies. Minuteman International, Inc. is not responsible for costs or repairs performed by persons other than those specifically authorized by Minuteman International, Inc. This warranty does not apply to damage from transportation, alterations by unauthorized persons, misuse or abuse of the equipment, use of non-compatible chemicals, or damage to property, or loss of income due to malfunctions of the product.

If a difficulty develops with this machine, you should contact the dealer from whom it was purchased.

This warranty gives you specific legal rights, and you may have other rights which vary from state to state. Some states do not allow the exclusion or limitation of special, incidental or consequential damages, or limitations on how long an implied warranty lasts, so the above exclusions and limitations may not apply to you.

## ***Minuteman***<sup>®</sup>

**World Headquarters**  
Minuteman International, Inc.  
111 South Rohlwing Road  
Addison, Illinois 60101

Minuteman Canada, Inc.  
2210 Drew Road  
Mississauga, Ontario  
L5S 1B1

(630) 627-6900  
FAX (630) 627-1130

(905) 673-3222  
FAX (905) 673-5161

986710  
Printed in U.S.A.